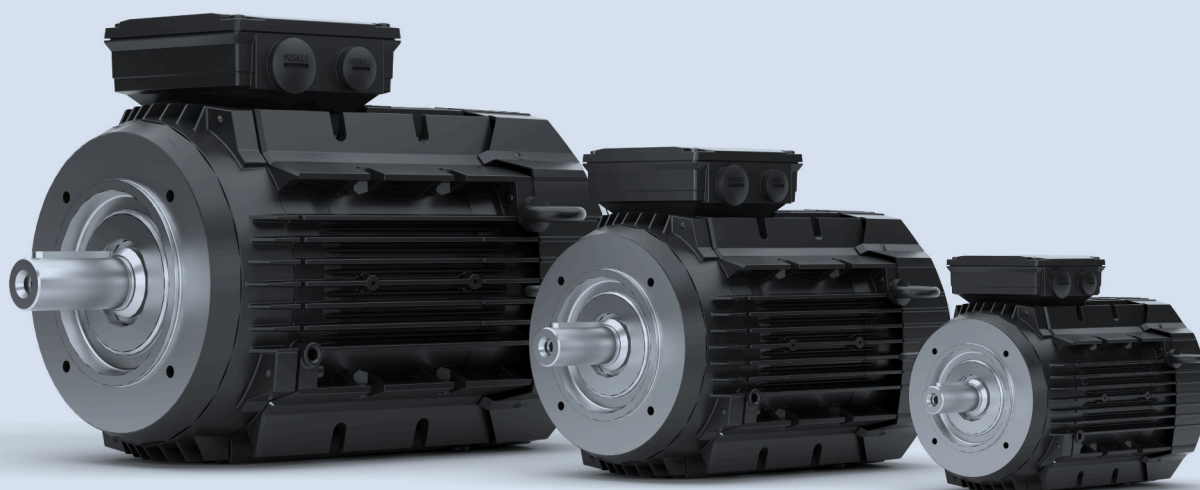




RUHRGETRIEBE



IEC STANDARD MOTORS

IE2 / IE3

Three-phase asynchronous motors

Storage programme



KATALOG 09/2024

Type/Mounting IM B14

B3/B5/B34/B35

Three-phase asynchronous motors



Properties

Lifetime: 20,000 hours, S1 Betrieb
 Colour tone: RAL9005 deep black
 Protection class: IP 55 (EN 60034-5)
 Mounting: IM B14 / Horizontal shaft
 Optional: IM B3/ IM B5/ IM B34/ IMB35

09/2024

Mechanical data

Supply voltage: 400/230 VY/D - 50Hz
 460/265 VY/D - 60Hz
 Sizes: 63 - 112
 Outputs: 0.12 - 4 kW
 Energy efficiency class: IE2 | IE3

Idle speed 1500 rpm
 400V / 50Hz | 460V / 60Hz

1500 rpm | 4 poles

Frame size / Type / Poles [IEC]	Item number	Power [kW]	Speed [min ⁻¹]	M _n [Nm]	Weight [kg]	IE-Class	Efficiency [η]			cos φ	I _n 400V	I _A /I _N	M _A /M _N	M _S /M _N	M _K /M _N	J [kgm ²]
							50%	75%	100%							
63M AMHE 63Z AA 4	L000015	0.12	1330	0.8	3.3	IE2	61.3	62.6	59.1	0.67	0.4	2.4	2.0	1.9	2.0	0.25
63M AMHE 63Z BA 4	L000016	0.18	1345	1.3	4.1	IE2	61.9	66.7	64.7	0.66	0.6	2.3	1.9	1.8	1.9	0.27
71M AMHE 71Z AA 4	L000017	0.25	1390	1.8	5.7	IE2	67.0	71.2	68.5	0.77	0.7	3.2	1.9	1.8	2.0	0.65
71M AMHE 71Z BA 4	L000018	0.37	1410	2.6	6.0	IE2	68.4	73.3	72.7	0.70	1.0	3.3	2.2	2.1	2.2	0.76
71M AMHE 71Z CA 4	L000019	0.55	1410	3.8	7.3	IE2	71.5	75.5	77.1	0.71	1.5	3.6	2.4	2.3	2.4	1.00
80M AMPE 80Z AA 4	L000020	0.75	1435	5.0	11.0	IE3	80.7	81.5	82.5	0.74	1.8	5.5	2.7	2.6	2.8	2.5
90S AMPE 90S AA 4	L000021	1.10	1440	7.3	18.0	IE3	83.3	84.3	84.1	0.75	2.5	7.1	4.3	3.4	4.4	3.6
90L AMPE 90L BA 4	L000022	1.50	1430	10.0	19.0	IE3	84.1	85.2	85.3	0.72	3.6	6.6	4.3	3.8	4.4	3.7
100L AMPE 100L AA 4	L000023	2.20	1455	14.5	22.4	IE3	86.0	87.0	86.7	0.78	4.8	9.0	3.0	3.5	8.9	8.9
100L AMPE 100L BA 4	L000024	3.00	1460	19.5	26.5	IE3	86.1	87.8	87.7	0.82	6.0	8.5	2.5	2.4	3.0	14.9
112M AMPE 112M BA 4	L000025	4.00	1450	26.4	36.0	IE3	87.2	88.3	88.6	0.80	8.2	8.5	2.7	2.4	3.5	16.4

Idle speed 3000 rpm
 400V / 50Hz | 460V / 60Hz

3000 rpm | 2 poles

Frame size / Type / Poles [IEC]	Item number	Power [kW]	Speed [min ⁻¹]	M _n [Nm]	Weight [kg]	IE-Class	Efficiency [η]			cos φ	I _n 400V	I _A /I _N	M _A /M _N	M _S /M _N	M _K /M _N	J [kgm ²]
							50%	75%	100%							
56M AMHE 56Z AA 2	L000004	0.12	2650	0.4	3.5	IE2	49.1	55.8	53.6	0.73	0.4	3.5	3.4	3.4	3.5	0.10
63M AMHE 63Z AA 2	L000005	0.18	2720	0.6	3.6	IE2	53.8	59.7	60.4	0.76	0.6	3.7	3.0	3.0	3.1	0.14
63M AMHE 63Z BA 2	L000006	0.25	2790	0.9	4.1	IE2	60.8	67.2	64.8	0.68	0.8	4.5	3.2	3.2	3.3	0.17
71M AMHE 71Z XA 2	L000007	0.37	2810	1.3	5.8	IE2	67.5	71.6	69.5	0.77	1.0	4.7	3.6	3.4	3.6	0.32
71M AMHE 71Z YA 2	L000008	0.55	2780	1.9	6.2	IE2	72.9	76.7	74.1	0.80	1.3	4.8	3.2	3.1	3.3	0.37
80M AMPE 80Z AA 2	L000009	0.75	2910	2.5	9.5	IE3	77.8	81.2	82.0	0.78	1.7	8.9	4.7	4.5	4.8	0.70
80S AMPE 80Z BA 2	L000010	1.10	2870	3.7	11.1	IE3	78.7	81.7	82.7	0.76	2.4	9.3	5.0	4.9	5.3	0.90
90S AMPE 90S AA 2	L000011	1.50	2875	5.0	14.0	IE3	83.2	84.8	84.2	0.85	3.0	8.4	3.6	3.2	3.8	1.60
90L AMPE 90L BA 2	L000012	2.20	2880	7.3	16.0	IE3	85.0	86.2	86.5	0.82	4.6	9.2	4.0	3.8	4.2	1.80
100L AMPE 100L AA 2	L000013	3.00	2900	9.9	22.8	IE3	82.3	85.8	87.1	0.89	5.6	8.8	5.5	3.5	4.5	4.10
112M AMPE 112M AA 2	L000014	4.00	2910	13.1	27.4	IE3	86.8	87.8	88.1	0.93	7.0	9.6	3.6	3.0	4.0	6.50

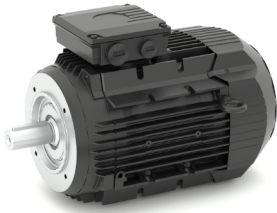


CUSTOMIZING

| Modifications to IEC electric motor
 | Available from stock | Services

Type/Mounting
IM B14
B3/B5/B34/B35

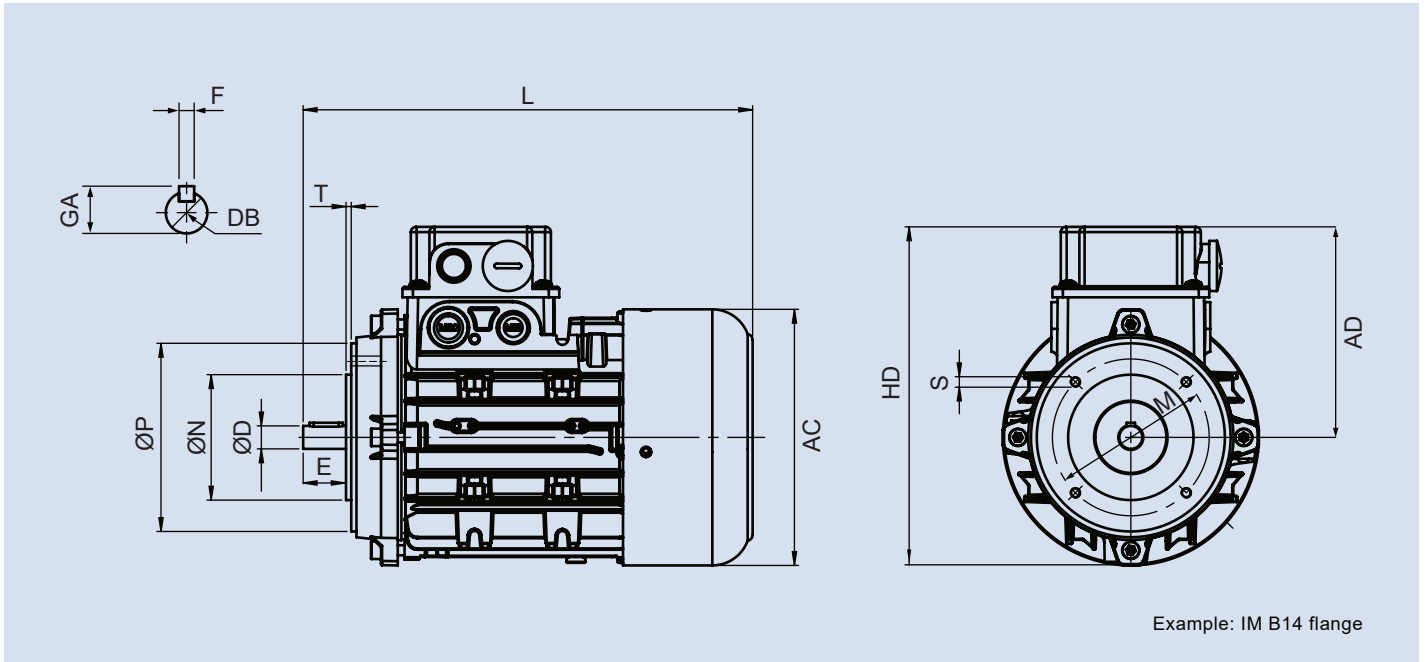
Three-phase asynchronous motors



Sizes IEC 56 - 112 | Flange mounting IM B14

Optional: IM B3 / IM B5 / IM B34 / IM B35

09/2024



Example: IM B14 flange

Frame size [IEC]	Power [kW]	Poles (4p / 2p)	Flange dimensions IM B14							Shaft end					Other dimensions			
			P	N	M	S	T	T	D	E	F h9	GA	DB	AC	L	AD	HD	
56M	0.12	2p	80	50	65	M5	2.5	2.5	9 j6	20	3	10.2	-	110	190	97	155	
63M	0.12	4p	90	60	75	M5	2.5	2.5	11 j6	23	4	12.5	M4	124	216	108	173	
63M	0.18	4p / 2p	90	60	75	M5	2.5	2.5	11 j6	23	4	12.5	M4	124	216	108	173	
63M	0.25	2p	90	60	75	M5	2.5	2.5	11 j6	23	4	12.5	M4	124	216	108	173	
71M	0.25	2p	105	70	85	M6	2.5	2.5	14 j6	30	5	16.0	M5	137	248	111	185	
71M	0.37	4p / 2p	105	70	85	M6	2.5	2.5	14 j6	30	5	16.0	M5	137	248	111	185	
71M	0.55	4p / 2p	105	70	85	M6	2.5	2.5	14 j6	30	5	16.0	M5	137	248	111	185	
80M	0.75	4p / 2p	120	80	100	M6	3.0	3.0	19 j6	40	6	21.5	M6	157	272	128	207	
80S	1.10	2p	120	80	100	M6	3.0	3.0	19 j6	40	6	21.5	M6	157	272	128	207	
90S	1.10	4p	140	95	115	M8	3.0	3.0	24 j6	50	8	27.0	M8	177	317	137	226	
90L	1.50	4p / 2p	140	95	115	M8	3.0	3.0	24 j6	50	8	27.0	M8	177	340	137	226	
90L	2.20	2p	140	95	115	M8	3.0	3.0	24 j6	50	8	27.0	M8	177	340	137	226	
100L	2.20	4p	160	110	130	M8	3.5	3.5	28 j6	60	8	31	M10	199	366	144	244	
100L	3.00	4p / 2p	160	110	130	M8	3.5	3.5	28 j6	60	8	31	M10	199	366	144	244	
112M	4.00	4p / 2p	160	110	130	M8	3.5	3.5	28 j6	60	8	31	M10	220	388	160	270	

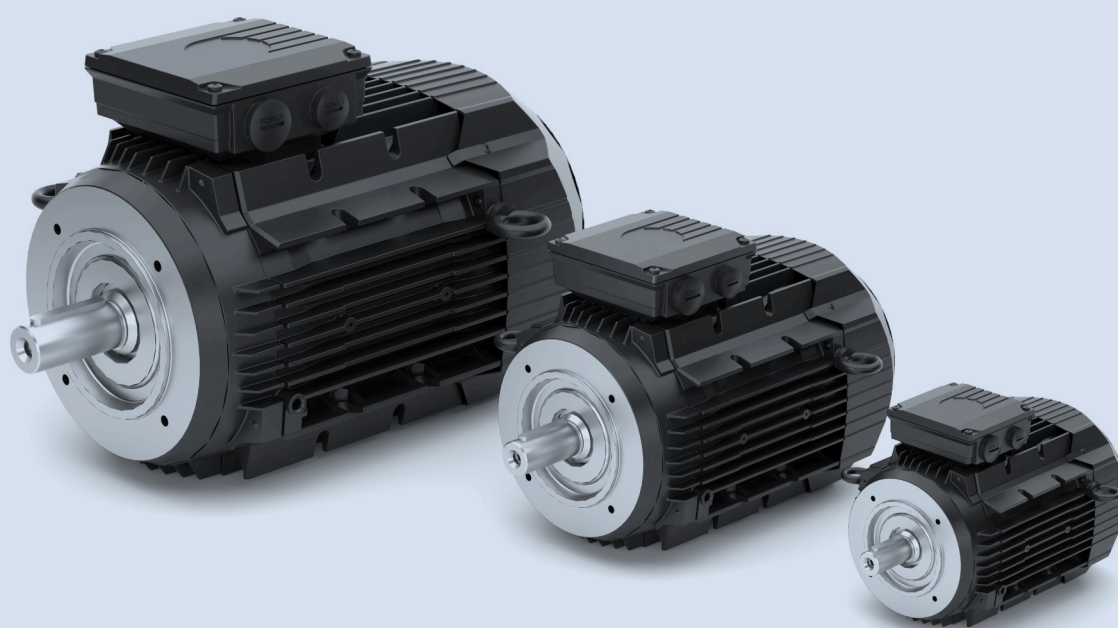


CUSTOMIZING

| Modifications to IEC electric motor
| Available from stock | Services



RUHRGETRIEBE



YOUR DRIVING FORCE.

RUHRGETRIEBE KG

Am Förderturm 29
45472 Mülheim an der Ruhr
Germany

+49 (0)208 780 680

info@ruhrgetriebe.de | www.ruhrgetriebe.de

Worm gearboxes
Planetary gearboxes
Helical gearboxes
SpeeroX gearboxes
IEC standard motors

